

# SPOT LIGHT

## SPECIFICATION

Series	MFLR/48
Input Voltage	220-240Vac , 50Hz
Power Factor	> 0.9
Color Temperature	2700K , 5000K
CRI	80 Ra
Beam Angle	8° , 15° , 30°
Driver	Inventronics (EUC-060S) Output 54V Position : Internal
LED Chip	Osram Osconiq P3737 (Option : Oslon SSL)
Housing Materials	Die-casting Aluminium with Tempered Glass Cover
Color	Black
Operating Temperature	- 40°C to + 50°C
Protection Class	IP 66
Life Time	>50000 Hrs (>42000 Hrs for 8° CCT2700K)
Surge Protection	4KV line-line 6KV line-earth



Accessories (Option)

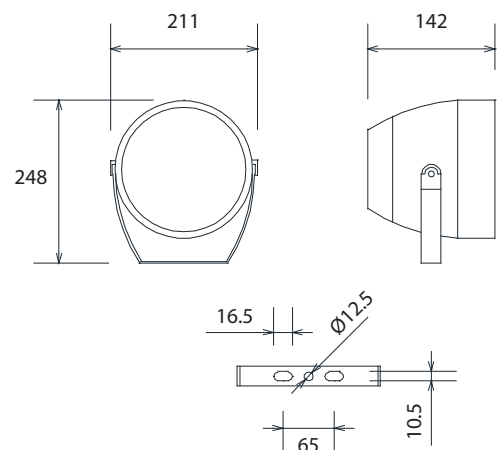
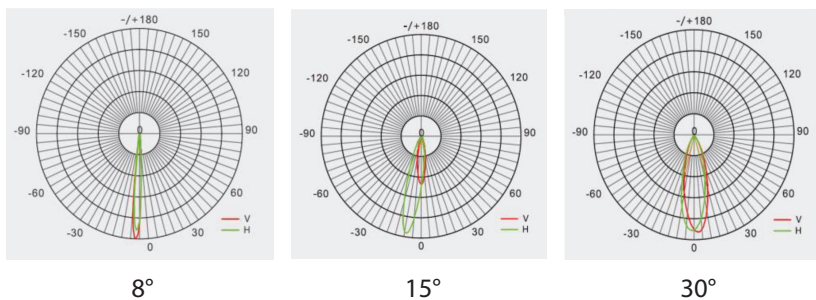


Honeycomb screen Cylindrical screen

Remark \*(All of Tolerances  $\pm 10\%$ )

Model	Rated Power (W)	Efficacy (lm/W)	Luminous Flux (lm)	Dimension WxLxH (mm)	Weight (kg)
MFLR/48	48	66 (2700K) 74 (5000K)	3120 (2700K) 3588 (5000K)	142 x 211 x 248	3.9

## Light Distribution Curve



Dimension Drawing (mm)

