

# SPOT LIGHT

## SPECIFICATION

Series	MFLSR/300
Input Voltage	220-240Vac , 50Hz
Power Factor	> 0.9
Color Temperature	2700K , 5000K
CRI	80 Ra
Beam Angle	15° , 30°
Driver	Inventronics (EBV-350S) Output 36V Position : at Bracket
LED Chip	Osram Osconiq P3737 (Option : Oslon SSL)
Housing Materials	Die-casting Aluminium with PC lens
Color	Black
Operating Temperature	- 40°C to + 50°C
Protection Class	IP 66
Life Time	50000 Hrs
Surge Protection	4KV line-line 6KV line-earth



Accessories (Option)

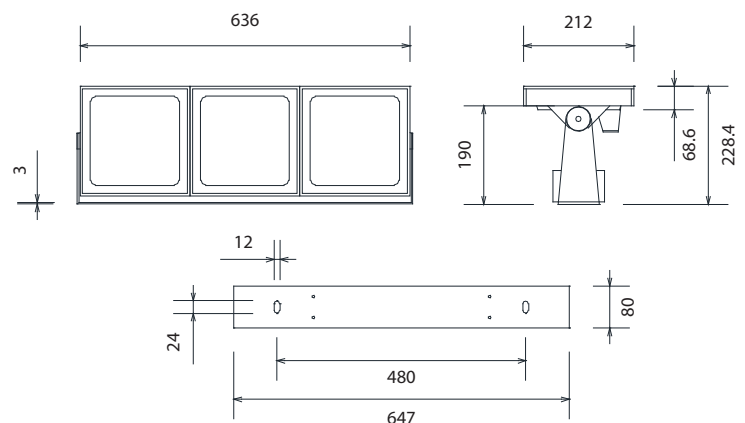
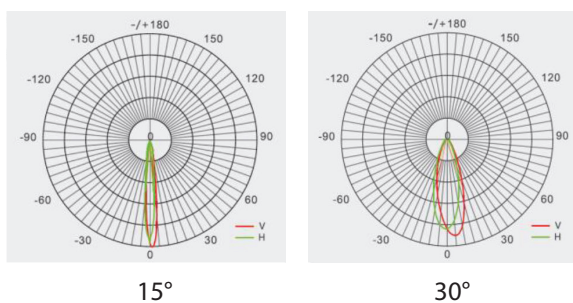


Anti-glare Baffle

Remark \*(All of Tolerances  $\pm 10\%$ )

Model	Rated Power (W)	Efficacy (lm/W)	Luminous Flux (lm)	Dimension WxLxH (mm)	Weight (kg)
MFLSR/300	300	66 (2700K) 67 (5000K)	20000 (2700K) 20320 (5000K)	212 x 636 x 215.8	13.5

## Light Distribution Curve



Dimension Drawing (mm)

