

TRACK LIGHT

SPECIFICATION

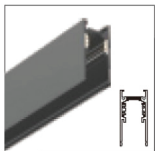
Series	TL/S/4821
Input Voltage	220-240V
Color Temperature	3000K , 4000K
CRI	90 Ra
Housing Materials	Aluminium
Color	White , Black , Grey
Protection Class	IP 20



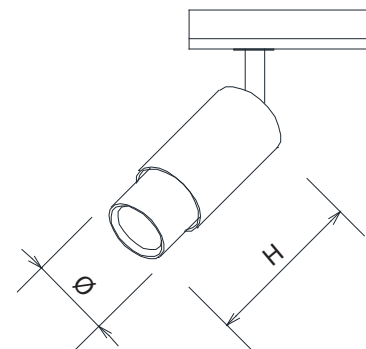
Remark *(All of Tolerances $\pm 10\%$)

Model	Rated Power (W)	Efficacy (lm/W)	Beam Angle	Dimension $\varnothing \times H$ (mm)
TL/S/4821	15	180-800	6°/60°	71 x 125-168
TL/S/4823	20	400-920	6°/60°	85 x 120-158
TL/S/4824	24	540-1200	6°/60°	90 x 135-175

Track System



CX-MA



Dimension Drawing (mm)

