

STREET LIGHT

SPECIFICATION

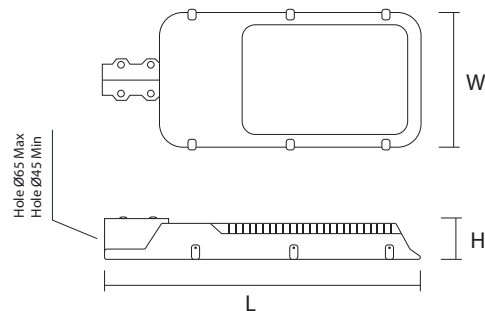
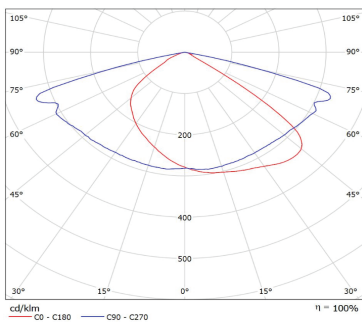
Series	VSL (1 ဘီအေအိုင်)
Input Voltage	100-277Vac , 50Hz
Power Factor	> 0.95
Harmonic (%THDi)	< 10%
Color Temperature	3000K , 4000K , 5700K
CRI	> 70 Ra (Option 80 Ra)
LED Chip	Lumileds 50000Hrs Life Time @L70 , IEC62471
Housing Materials	Die-casting Aluminium with PC lens UV Protect
Heatsink	Passive Cooling Heatsink
Operating Temperature	- 40°C to + 50°C
Protection Class	IP 66 / IEC60529/အစဉ်.513
IK Grade	IK 08 / IEC62262
Installation	Hole 45mm. - 65mm.



Remark *(All of Tolerances $\pm 10\%$)

Model	Rated Power (W)	Efficacy (lm/W)	Luminous Flux (lm)	Dimension WxLxH (mm)	Weight (kg)
VSL/30	30	140	4200	211 x 494 x 41	3
VSL/50	50	140	7000	211 x 494 x 41	3
VSL/60	60	140	8400	211 x 494 x 41	3
VSL/70	70	140	9800	211 x 494 x 41	3
VSL/80	80	140	11200	211 x 494 x 41	3
VSL/100	100	140	14000	256 x 602 x 54	6
VSL/120	120	140	16800	256 x 602 x 54	6
VSL/140	140	140	19600	256 x 602 x 54	6
VSL/150	150	140	21000	256 x 602 x 54	6

Light Distribution Curve



Dimension Drawing (mm)

